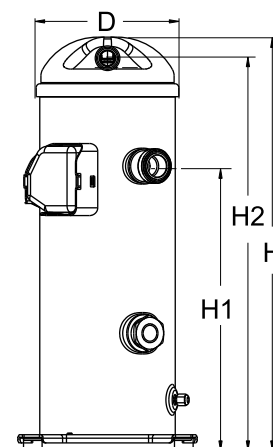


**General Characteristics**

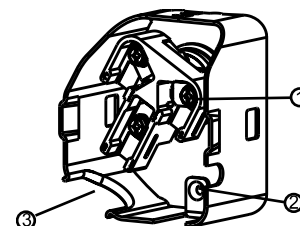
Model number (on compressor nameplate)		<b>MLZ045T4LQ9</b>
Code number for Singlepack*		121U8577
Code number for Industrial pack**		121U8576
Drawing number		0XR6298B-2
Suction and discharge connections		Rotolock
Suction connection		1-1/4 " Rotolock
Discharge connection		1 " Rotolock
Suction connection with supplied sleeve		7/8 " -
Discharge connection with supplied sleeve	- "	1/2 " -
Oil sight glass		Threaded
Oil equalisation connection		None
Oil drain connection		None
LP gauge port		None
IPR valve		None
Swept volume		98,57 cm <sup>3</sup> /rev
Displacement @ Nominal speed		17.1 m <sup>3</sup> /h @ 2900 rpm - 20.7 m <sup>3</sup> /h @ 3500 rpm
Net weight		41 kg
Oil charge		1,57 litre, PVE - -
Maximum system test pressure Low Side / High side		- bar(g) / - bar(g)
Maximum differential test pressure		- bar
Maximum number of starts per hour		12
Refrigerant charge limit		5,44 kg
Approved refrigerants		R404A, R507, R134a, R407A, R407C, R407F, R22

**Dimensions**


D=184 mm  
H=454,9 mm  
H1=280 mm  
H2=422,2 mm  
H3=- mm

**Electrical Characteristics**

Nominal voltage	380-400V/3/50Hz - 460V/3/60Hz
Voltage range	340-460 V @ 50Hz - 414-506 V @ 60Hz
Winding resistance between phases 1-2 +/- 7% at 25°C	1.869 Ω
Winding resistance between phases 1-3 +/- 7% at 25°C	1.88 Ω
Winding resistance between phases 2-3 +/- 7% at 25°C	1.8 Ω
Rated Load Amps (RLA)	9.6 A
Maximum Continuous Current (MCC)	15 A
Locked Rotor Amps (LRA)	82 A
Motor protection	Internal overload protector

**Terminal box**


IP22

- 1: Screw connectors 10-32 UNF x 9.5
- 2: Earth connection
- 3: Power cable passage

**Recommended Installation torques**

Oil sight glass	52,5 Nm
Power connections / Earth connection	3 Nm / 2 Nm

**Parts shipped with compressor**

Mounting kit with grommets and sleeves
Initial oil charge
Installation instructions

**Approvals** : CE certified, UL certified (file SA11565), -

\*Singlepack: Compressor in cardboard box. 121U... optimised for Danfoss pallet, 120U... optimised for US pallet

\*\*Industrial pack: 121U...: 12 unboxed compressors on Danfoss pallet. 120U...: 16 unboxed compressors on US pallet

**Rotolock accessories, suction side**
**Code no.**

Rotolock valve, V05 (1-1/4" Rotolock, 7/8" ODF)	8168030
Gasket, 1-1/4"	8156131

**Rotolock accessories, discharge side**
**Code no.**

Angle adapter, C01 (1" Rotolock, 3/8" ODF)	8168004
Rotolock valve, V06 (1" Rotolock, 1/2" ODF)	8168031
Gasket, 1"	8156130

**Rotolock accessories, sets**
**Code no.**

Teflon seals, sleeves, nuts for discharge and suction (1" and 1"1/4)	120Z5074
Gasket set, 1", 1-1/4", 1-3/4", OSG gaskets black & white	8156009

**Oil / lubricants**
**Code no.**

PVE lubricant, 320HV (FVC68D), 1 litre can	120Z5034
--	----------

**Crankcase heaters**
**Code no.**

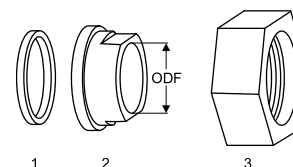
Belt type crankcase heater, 70 W, 230 V, UL	120Z5011
Belt type crankcase heater, 65 W, 230 V, CE mark, UL	120Z0059
Belt type crankcase heater, 65 W, 400 V, CE mark, UL	120Z0060
Belt type crankcase heater, 70 W, 460 V, UL	120Z5012

**Miscellaneous accessories**
**Code no.**

Acoustic hood	120Z5044
Discharge thermostat kit	7750009

**Spare parts**
**Code no.**

Mounting kit for 1 scroll compressor including 4 grommets, 4 sleeves, 4 bolts, 4 washers	120Z5005
--	----------

**Gaskets, sleeves and nuts**


- 1: Gasket
- 2: Solder sleeve
- 3: Rotolock nut

**Performance data at 50 Hz, EN 12900 rating conditions, Superheat = 10 K**
**R22**

Cond. temp. in °C (tc)	Evaporating temperature in °C (to)							
	-20	-15	-10	-5	0	5	10	

**Cooling capacity in W**

16	7 679	9 790	12 315	15 211	-	-	-	-	-
20	7 585	9 610	12 046	14 851	17 982	-	-	-	-
30	7 092	8 915	11 138	13 724	16 632	19 819	23 234	-	-
40	6 310	7 942	9 967	12 347	15 046	18 021	21 227	-	-
50	-	6 785	8 623	10 809	13 310	16 086	19 097	-	-
60	-	-	-	9 199	11 512	14 102	16 928	-	-
68	-	-	-	-	-	12 535	15 225	-	-

**Power input in W**

16	2 154	2 136	2 107	2 086	-	-	-	-	-
20	2 436	2 431	2 411	2 394	2 396	-	-	-	-
30	3 046	3 078	3 083	3 078	3 080	3 106	3 173	-	-
40	3 646	3 720	3 755	3 767	3 774	3 793	3 840	-	-
50	-	4 515	4 584	4 618	4 635	4 651	4 683	-	-
60	-	-	-	5 787	5 818	5 837	5 859	-	-
68	-	-	-	-	-	7 126	7 143	-	-

**Current consumption in A**

16	4.15	4.11	4.06	4.02	-	-	-	-	-
20	4.69	4.68	4.64	4.61	4.61	-	-	-	-
30	5.86	5.92	5.93	5.92	5.93	5.98	6.11	-	-
40	7.02	7.16	7.23	7.25	7.26	7.30	7.39	-	-
50	-	8.69	8.82	8.89	8.92	8.95	9.01	-	-
60	-	-	-	11.14	11.20	11.23	11.27	-	-
68	-	-	-	-	-	13.71	13.75	-	-

**Mass flow in kg/h**

16	141	182	231	287	-	-	-	-	-
20	144	184	231	286	346	-	-	-	-
30	148	185	230	282	340	401	466	-	-
40	144	180	224	275	332	393	457	-	-
50	-	165	210	263	321	383	448	-	-
60	-	-	-	242	303	368	436	-	-
68	-	-	-	-	-	351	422	-	-

**Coefficient of performance (C.O.P.)**

16	3.56	4.58	5.84	7.29	-	-	-	-	-
20	3.11	3.95	5.00	6.20	7.51	-	-	-	-
30	2.33	2.90	3.61	4.46	5.40	6.38	7.32	-	-
40	1.73	2.13	2.65	3.28	3.99	4.75	5.53	-	-
50	-	1.50	1.88	2.34	2.87	3.46	4.08	-	-
60	-	-	-	1.59	1.98	2.42	2.89	-	-
68	-	-	-	-	-	1.76	2.13	-	-

**Nominal performance at to = -10 °C, tc = 45 °C**

Cooling capacity	9 311	W
Power input	4 140	W
Current consumption	7.97	A
Mass flow	218	kg/h
C.O.P.	2.25	

**Pressure switch settings**

Maximum HP switch setting	29.8	bar(g)
Minimum LP switch setting	0.5	bar(g)
LP pump down setting	0.95	bar(g)

**Sound power data**

Sound power level	71	dB(A)
With acoustic hood	63	dB(A)

to: Evaporating temperature at dew point

tc: Condensing temperature at dew point

Rating conditions : Superheat = 10 K , Subcooling = 0 K

All performance data +/- 5%

**Performance data at 50 Hz, EN 12900 rating conditions, Suction temp. = 20 °C**
**R22**

Cond. temp. in °C (tc)	Evaporating temperature in °C (to)							
	-20	-15	-10	-5	0	5	10	

**Cooling capacity in W**

16	7 492	9 581	12 090	14 988	-	-	-	-	-
20	7 419	9 426	11 848	14 653	17 807	-	-	-	-
30	6 990	8 798	11 010	13 593	16 514	19 739	23 234	-	-
40	-	7 898	9 912	12 286	14 985	17 977	21 227	-	-
50	-	-	-	10 816	13 307	16 078	19 097	-	-
60	-	-	-	-	11 565	14 129	16 928	-	-
68	-	-	-	-	-	-	15 225	-	-

**Power input in W**

16	2 154	2 136	2 107	2 086	-	-	-	-	-
20	2 436	2 431	2 411	2 394	2 396	-	-	-	-
30	3 046	3 078	3 083	3 078	3 080	3 106	3 173	-	-
40	-	3 720	3 755	3 767	3 774	3 793	3 840	-	-
50	-	-	-	4 618	4 635	4 651	4 683	-	-
60	-	-	-	-	5 818	5 837	5 859	-	-
68	-	-	-	-	-	-	7 143	-	-

**Current consumption in A**

16	4.15	4.11	4.06	4.02	-	-	-	-	-
20	4.69	4.68	4.64	4.61	4.61	-	-	-	-
30	5.86	5.92	5.93	5.92	5.93	5.98	6.11	-	-
40	-	7.16	7.23	7.25	7.26	7.30	7.39	-	-
50	-	-	-	8.89	8.92	8.95	9.01	-	-
60	-	-	-	-	11.20	11.23	11.27	-	-
68	-	-	-	-	-	-	13.75	-	-

**Mass flow in kg/h**

16	124	163	212	268	-	-	-	-	-
20	127	165	212	267	330	-	-	-	-
30	131	166	210	263	324	392	466	-	-
40	-	161	205	257	317	384	457	-	-
50	-	-	-	245	306	374	448	-	-
60	-	-	-	-	289	359	436	-	-
68	-	-	-	-	-	-	422	-	-

**Coefficient of performance (C.O.P.)**

16	3.48	4.49	5.74	7.18	-	-	-	-	-
20	3.05	3.88	4.91	6.12	7.43	-	-	-	-
30	2.29	2.86	3.57	4.42	5.36	6.36	7.32	-	-
40	-	2.12	2.64	3.26	3.97	4.74	5.53	-	-
50	-	-	-	2.34	2.87	3.46	4.08	-	-
60	-	-	-	-	1.99	2.42	2.89	-	-
68	-	-	-	-	-	-	2.13	-	-

**Nominal performance at to = -10 °C, tc = 45 °C**

Cooling capacity	9 292	W
Power input	4 140	W
Current consumption	7.97	A
Mass flow	200	kg/h
C.O.P.	2.24	

**Pressure switch settings**

Maximum HP switch setting	29.8	bar(g)
Minimum LP switch setting	0.5	bar(g)
LP pump down setting	0.95	bar(g)

**Sound power data**

Sound power level	71	dB(A)
With acoustic hood	63	dB(A)

to: Evaporating temperature at dew point

tc: Condensing temperature at dew point

Rating conditions : Suction gas temp. = 20 °C , Subcooling = 0 K

All performance data +/- 5%

**Performance data at 50 Hz, EN 12900 rating conditions, Superheat = 10 K**
**R134a**

Cond. temp. in °C (tc)	Evaporating temperature in °C (to)							
	-15	-10	-5	0	5	10	15	

**Cooling capacity in W**

22	6 036	7 604	9 480	11 663	14 151	-	-	-	-
30	5 535	7 015	8 800	10 889	13 282	15 977	-	-	-
40	4 904	6 239	7 877	9 816	12 055	14 594	17 433	-	-
50	-	5 436	6 889	8 640	10 689	13 035	15 677	-	-
60	-	-	5 855	7 381	9 202	11 317	13 725	-	-
70	-	-	-	6 056	7 611	9 458	11 595	-	-
73	-	-	-	5 648	7 117	8 876	10 923	-	-

**Power input in W**

22	1 610	1 639	1 656	1 664	1 666	-	-	-	-
30	1 926	1 962	1 986	2 001	2 011	2 020	-	-	-
40	2 383	2 427	2 461	2 486	2 507	2 528	2 551	-	-
50	-	2 989	3 032	3 069	3 101	3 134	3 170	-	-
60	-	-	3 727	3 776	3 820	3 866	3 915	-	-
70	-	-	-	4 634	4 692	4 751	4 815	-	-
73	-	-	-	4 925	4 987	5 051	5 118	-	-

**Current consumption in A**

22	3.10	3.16	3.19	3.20	3.21	-	-	-	-
30	3.71	3.78	3.82	3.85	3.87	3.89	-	-	-
40	4.59	4.67	4.74	4.78	4.83	4.86	4.91	-	-
50	-	5.75	5.84	5.91	5.97	6.03	6.10	-	-
60	-	-	7.17	7.27	7.35	7.44	7.53	-	-
70	-	-	-	8.92	9.03	9.14	9.27	-	-
73	-	-	-	9.48	9.60	9.72	9.85	-	-

**Mass flow in kg/h**

22	130	160	196	237	283	-	-	-	-
30	128	159	195	237	283	335	-	-	-
40	125	156	193	234	282	334	392	-	-
50	-	152	188	230	278	331	390	-	-
60	-	-	181	223	271	324	384	-	-
70	-	-	-	214	261	315	374	-	-
73	-	-	-	210	258	311	370	-	-

**Coefficient of performance (C.O.P.)**

22	3.75	4.64	5.72	7.01	8.50	-	-	-	-
30	2.87	3.58	4.43	5.44	6.60	7.91	-	-	-
40	2.06	2.57	3.20	3.95	4.81	5.77	6.83	-	-
50	-	1.82	2.27	2.82	3.45	4.16	4.95	-	-
60	-	-	1.57	1.95	2.41	2.93	3.51	-	-
70	-	-	-	1.31	1.62	1.99	2.41	-	-
73	-	-	-	1.15	1.43	1.76	2.13	-	-

**Nominal performance at to = -10 °C, tc = 45 °C**

Cooling capacity	5 840	W
Power input	2 694	W
Current consumption	5.19	A
Mass flow	154	kg/h
C.O.P.	2.17	

**Pressure switch settings**

Maximum HP switch setting	23.6	bar(g)
Minimum LP switch setting	0.45	bar(g)
LP pump down setting	0.85	bar(g)

**Sound power data**

Sound power level	71	dB(A)
With acoustic hood	63	dB(A)

to: Evaporating temperature at dew point

tc: Condensing temperature at dew point

Rating conditions : Superheat = 10 K , Subcooling = 0 K

All performance data +/- 5%

**Performance data at 50 Hz, EN 12900 rating conditions, Suction temp. = 20 °C**
**R134a**

Cond. temp. in °C (tc)	Evaporating temperature in °C (to)							
	-15	-10	-5	0	5	10	15	

**Cooling capacity in W**

22	6 132	7 693	9 554	11 713	14 174	-	-	-	-
30	-	7 145	8 913	10 974	13 327	15 977	-	-	-
40	-	-	8 039	9 942	12 127	14 594	17 351	-	-
50	-	-	7 099	8 808	10 787	13 035	15 552	-	-
60	-	-	-	7 587	9 325	11 317	-	-	-
70	-	-	-	-	7 758	9 458	-	-	-
73	-	-	-	-	7 270	8 876	-	-	-

**Power input in W**

22	1 610	1 639	1 656	1 664	1 666	-	-	-	-
30	-	1 962	1 986	2 001	2 011	2 020	-	-	-
40	-	-	2 461	2 486	2 507	2 528	2 551	-	-
50	-	-	3 032	3 069	3 101	3 134	3 170	-	-
60	-	-	-	3 776	3 820	3 866	-	-	-
70	-	-	-	-	4 692	4 751	-	-	-
73	-	-	-	-	4 987	5 051	-	-	-

**Current consumption in A**

22	3.10	3.16	3.19	3.20	3.21	-	-	-	-
30	-	3.78	3.82	3.85	3.87	3.89	-	-	-
40	-	-	4.74	4.78	4.83	4.86	4.91	-	-
50	-	-	5.84	5.91	5.97	6.03	6.10	-	-
60	-	-	-	7.27	7.35	7.44	-	-	-
70	-	-	-	-	9.03	9.14	-	-	-
73	-	-	-	-	9.60	9.72	-	-	-

**Mass flow in kg/h**

22	117	147	184	226	276	-	-	-	-
30	-	146	183	226	276	335	-	-	-
40	-	-	180	224	275	334	403	-	-
50	-	-	176	220	271	331	400	-	-
60	-	-	-	213	265	324	-	-	-
70	-	-	-	-	255	315	-	-	-
73	-	-	-	-	252	311	-	-	-

**Coefficient of performance (C.O.P.)**

22	3.81	4.69	5.77	7.04	8.51	-	-	-	-
30	-	3.64	4.49	5.48	6.63	7.91	-	-	-
40	-	-	3.27	4.00	4.84	5.77	6.80	-	-
50	-	-	2.34	2.87	3.48	4.16	4.91	-	-
60	-	-	-	2.01	2.44	2.93	-	-	-
70	-	-	-	-	1.65	1.99	-	-	-
73	-	-	-	-	1.46	1.76	-	-	-

**Nominal performance at to = -10 °C, tc = 45 °C**

Cooling capacity	-	W
Power input	-	W
Current consumption	-	A
Mass flow	-	kg/h
C.O.P.	-	

to: Evaporating temperature at dew point

tc: Condensing temperature at dew point

Rating conditions : Suction gas temp. = 20 °C , Subcooling = 0 K

**Pressure switch settings**

Maximum HP switch setting	23.6	bar(g)
Minimum LP switch setting	0.45	bar(g)
LP pump down setting	0.85	bar(g)

**Sound power data**

Sound power level	71	dB(A)
With acoustic hood	63	dB(A)

All performance data +/- 5%

**Performance data at 50 Hz, EN 12900 rating conditions, Suction temp. = 20 °C**
**R404A**

Cond. temp. in °C (tc)	Evaporating temperature in °C (to)								
	-30	-25	-20	-15	-10	-5	0	5	10

**Cooling capacity in W**

10	7 300	8 895	10 818	13 103	15 782	-	-	-	-
20	6 514	8 042	9 856	11 990	14 475	17 347	20 637	-	-
30	5 631	7 060	8 733	10 682	12 941	15 543	18 522	21 911	25 742
40	-	5 963	7 461	9 193	11 192	13 492	16 127	19 129	22 531
50	-	-	6 053	7 535	9 242	11 208	13 465	16 047	18 988
60	-	-	-	-	7 105	8 703	10 550	12 680	15 125

**Power input in W**

10	2 259	2 252	2 256	2 273	2 308	-	-	-	-
20	2 793	2 780	2 772	2 771	2 782	2 806	2 848	-	-
30	3 464	3 457	3 447	3 440	3 436	3 441	3 457	3 487	3 535
40	-	4 344	4 345	4 340	4 334	4 329	4 330	4 338	4 358
50	-	-	5 526	5 535	5 537	5 534	5 529	5 527	5 530
60	-	-	-	-	7 108	7 117	7 118	7 116	7 112

**Current consumption in A**

10	6.22	6.12	6.04	5.98	5.91	-	-	-	-
20	6.73	6.69	6.67	6.67	6.67	6.66	6.63	-	-
30	7.33	7.32	7.33	7.36	7.40	7.43	7.44	7.42	7.35
40	-	8.27	8.29	8.32	8.36	8.40	8.42	8.41	8.36
50	-	-	9.80	9.80	9.82	9.83	9.83	9.80	9.74
60	-	-	-	-	12.04	11.99	11.94	11.86	11.74

**Mass flow in kg/h**

10	146	181	221	268	325	-	-	-	-
20	143	178	219	268	325	393	473	-	-
30	136	172	214	263	321	390	471	566	677
40	-	163	205	254	312	382	463	559	671
50	-	-	191	241	299	368	450	546	658
60	-	-	-	-	280	349	431	527	639

**Coefficient of performance (C.O.P.)**

10	3.23	3.95	4.80	5.76	6.84	-	-	-	-
20	2.33	2.89	3.56	4.33	5.20	6.18	7.25	-	-
30	1.63	2.04	2.53	3.11	3.77	4.52	5.36	6.28	7.28
40	-	1.37	1.72	2.12	2.58	3.12	3.72	4.41	5.17
50	-	-	1.10	1.36	1.67	2.03	2.44	2.90	3.43
60	-	-	-	-	1.00	1.22	1.48	1.78	2.13

**Nominal performance at to = -10 °C, tc = 45 °C**

Cooling capacity	10 241	W
Power input	4 893	W
Current consumption	9.01	A
Mass flow	306	kg/h
C.O.P.	2.09	


**Pressure switch settings**

Maximum HP switch setting	29.7	bar(g)
Minimum LP switch setting	1.4	bar(g)
LP pump down setting	2	bar(g)

**Sound power data**

Sound power level	71	dB(A)
With acoustic hood	63	dB(A)

to: Evaporating temperature at dew point

tc: Condensing temperature at dew point

Rating conditions : Suction gas temp. = 20 °C , Subcooling = 0 K

All performance data +/- 5%

**Performance data at 50 Hz, EN 12900 rating conditions, Superheat = 10 K**
**R404A**

Cond. temp. in °C (tc)	Evaporating temperature in °C (to)								
	-30	-25	-20	-15	-10	-5	0	5	10

**Cooling capacity in W**

10	7 015	8 608	10 541	12 850	15 571	-	-	-	-
20	6 125	7 637	9 450	11 601	14 126	17 063	20 441	-	-
30	5 150	6 544	8 201	10 158	12 454	15 128	18 215	21 746	25 742
40	4 110	5 350	6 814	8 541	10 572	12 948	15 709	18 892	22 531
50	-	-	5 310	6 771	8 500	10 540	12 938	15 739	18 988
60	-	-	-	-	6 252	7 918	9 913	12 296	15 125

**Power input in W**

10	2 259	2 252	2 256	2 273	2 308	-	-	-	-
20	2 793	2 780	2 772	2 771	2 782	2 806	2 848	-	-
30	3 464	3 457	3 447	3 440	3 436	3 441	3 457	3 487	3 535
40	4 336	4 344	4 345	4 340	4 334	4 329	4 330	4 338	4 358
50	-	-	5 526	5 535	5 537	5 534	5 529	5 527	5 530
60	-	-	-	-	7 108	7 117	7 118	7 116	7 112

**Current consumption in A**

10	6.22	6.12	6.04	5.98	5.91	-	-	-	-
20	6.73	6.69	6.67	6.67	6.67	6.66	6.63	-	-
30	7.33	7.32	7.33	7.36	7.40	7.43	7.44	7.42	7.35
40	8.29	8.27	8.29	8.32	8.36	8.40	8.42	8.41	8.36
50	-	-	9.80	9.80	9.82	9.83	9.83	9.80	9.74
60	-	-	-	-	12.04	11.99	11.94	11.86	11.74

**Mass flow in kg/h**

10	174	211	254	302	359	-	-	-	-
20	170	208	252	301	359	424	499	-	-
30	163	202	246	296	354	421	497	582	677
40	151	191	235	286	345	412	489	576	671
50	-	-	220	271	330	398	475	562	658
60	-	-	-	-	309	377	455	542	639

**Coefficient of performance (C.O.P.)**

10	3.10	3.82	4.67	5.65	6.75	-	-	-	-
20	2.19	2.75	3.41	4.19	5.08	6.08	7.18	-	-
30	1.49	1.89	2.38	2.95	3.62	4.40	5.27	6.24	7.28
40	0.95	1.23	1.57	1.97	2.44	2.99	3.63	4.35	5.17
50	-	-	0.96	1.22	1.54	1.90	2.34	2.85	3.43
60	-	-	-	-	0.88	1.11	1.39	1.73	2.13

**Nominal performance at to = -10 °C, tc = 45 °C**

Cooling capacity	9 558	W
Power input	4 893	W
Current consumption	9.01	A
Mass flow	338	kg/h
C.O.P.	1.95	

**Pressure switch settings**

Maximum HP switch setting	29.7	bar(g)
Minimum LP switch setting	1.4	bar(g)
LP pump down setting	2	bar(g)

**Sound power data**

Sound power level	71	dB(A)
With acoustic hood	63	dB(A)

to: Evaporating temperature at dew point

tc: Condensing temperature at dew point

Rating conditions : Superheat = 10 K , Subcooling = 0 K

All performance data +/- 5%

**Performance data at 50 Hz, EN 12900 rating conditions**
**R407F**

Cond. temp. in °C (tc)	Evaporating temperature in °C (to)							
	-23	-20	-15	-10	-5	0	5	10

**Cooling capacity in W**

10	8 685	9 949	12 362	15 200	-	-	-	-	-
20	7 648	8 837	11 102	13 763	16 870	20 472	-	-	-
30	6 539	7 641	9 738	12 203	15 084	18 432	22 293	26 718	-
40	5 374	6 377	8 286	10 534	13 170	16 242	19 800	23 892	-
45	-	-	7 532	9 664	12 169	15 096	18 494	22 412	-
50	-	-	-	8 772	11 142	13 919	17 152	20 891	-
55	-	-	-	-	10 089	12 711	15 775	19 330	-
60	-	-	-	-	-	-	-	-	-

**Power input in W**

10	2 211	2 237	2 250	2 208	-	-	-	-	-
20	2 701	2 739	2 793	2 818	2 797	2 710	-	-	-
30	3 369	3 392	3 442	3 491	3 520	3 511	3 445	3 303	-
40	4 330	4 311	4 312	4 340	4 375	4 400	4 394	4 340	-
45	-	-	4 866	4 867	4 889	4 913	4 921	4 893	-
50	-	-	-	5 480	5 477	5 490	5 501	5 489	-
55	-	-	-	-	6 156	6 147	6 149	6 143	-
60	-	-	-	-	-	-	-	-	-

**Current consumption in A**

10	6.21	6.20	6.20	6.20	-	-	-	-	-
20	6.59	6.60	6.61	6.62	6.63	6.64	-	-	-
30	7.23	7.24	7.26	7.28	7.30	7.32	7.34	7.35	-
40	8.20	8.21	8.23	8.26	8.28	8.31	8.33	8.34	-
45	-	-	8.85	8.88	8.91	8.93	8.96	8.97	-
50	-	-	-	9.60	9.63	9.66	9.68	9.70	-
55	-	-	-	-	10.46	10.49	10.51	10.53	-
60	-	-	-	-	-	-	-	-	-

**Mass flow in kg/h**

10	152	173	212	257	-	-	-	-	-
20	144	165	205	251	303	363	-	-	-
30	134	156	195	241	294	355	424	502	-
40	122	143	183	229	282	343	412	491	-
45	-	-	175	221	274	335	405	484	-
50	-	-	-	213	266	327	397	476	-
55	-	-	-	-	256	318	387	467	-
60	-	-	-	-	-	-	-	-	-

**Coefficient of performance (C.O.P.)**

10	3.93	4.45	5.49	6.88	-	-	-	-	-
20	2.83	3.23	3.98	4.88	6.03	7.55	-	-	-
30	1.94	2.25	2.83	3.50	4.29	5.25	6.47	8.09	-
40	1.24	1.48	1.92	2.43	3.01	3.69	4.51	5.51	-
45	-	-	1.55	1.99	2.49	3.07	3.76	4.58	-
50	-	-	-	1.60	2.03	2.54	3.12	3.81	-
55	-	-	-	-	1.64	2.07	2.57	3.15	-
60	-	-	-	-	-	-	-	-	-

**Nominal performance at to = -10 °C, tc = 45 °C**

Cooling capacity	9 664	W
Power input	4 867	W
Current consumption	8.88	A
Mass flow	221	kg/h
C.O.P.	1.99	

**Pressure switch settings**

Maximum HP switch setting	29.7	bar(g)
Minimum LP switch setting	1.4	bar(g)
LP pump down setting	2	bar(g)

**Sound power data**

Sound power level	71	dB(A)
With acoustic hood	63	dB(A)

to: Evaporating temperature at dew point

tc: Condensing temperature at dew point

Rating conditions : Superheat = 10 K, Subcooling = 0 K

All performance data +/- 5%

Danfoss can accept no responsibility for possible errors in catalogues, brochures and other printed material. Danfoss reserves the right to alter its products without notice. This also applies to products already on order provided that such alternations can be made without subsequential changes being necessary in specifications already agreed. All trademarks in this material are property of the respective companies. Danfoss and the Danfoss logotype are trademarks of Danfoss A/S. All rights reserved.

Performance data at 50 Hz, ARI rating conditions

R407F

Cond. temp. in °C (tc)	Evaporating temperature in °C (to)							
	-23	-20	-15	-10	-5	0	5	10

Cooling capacity in W

10	9 179	10 510	13 049	16 034	-	-	-	-	-
20	8 132	9 391	11 788	14 602	17 885	21 686	-	-	-
30	7 006	8 181	10 416	13 040	16 104	19 659	23 758	28 450	-
40	-	6 895	8 948	11 362	14 189	17 480	21 286	25 660	-
45	-	-	8 183	10 485	13 187	16 339	19 993	24 202	-
50	-	-	-	9 586	12 158	15 168	18 667	22 708	-
55	-	-	-	-	-	13 972	17 314	21 186	-
60	-	-	-	-	-	-	-	-	-

Power input in W

10	2 211	2 237	2 250	2 208	-	-	-	-	-
20	2 701	2 739	2 793	2 818	2 797	2 710	-	-	-
30	3 369	3 392	3 442	3 491	3 520	3 511	3 445	3 303	-
40	-	4 311	4 312	4 340	4 375	4 400	4 394	4 340	-
45	-	-	4 866	4 867	4 889	4 913	4 921	4 893	-
50	-	-	-	5 480	5 477	5 490	5 501	5 489	-
55	-	-	-	-	-	6 147	6 149	6 143	-
60	-	-	-	-	-	-	-	-	-

Current consumption in A

10	6.21	6.20	6.20	6.20	-	-	-	-	-
20	6.59	6.60	6.61	6.62	6.63	6.64	-	-	-
30	7.23	7.24	7.26	7.28	7.30	7.32	7.34	7.35	-
40	-	8.21	8.23	8.26	8.28	8.31	8.33	8.34	-
45	-	-	8.85	8.88	8.91	8.93	8.96	8.97	-
50	-	-	-	9.60	9.63	9.66	9.68	9.70	-
55	-	-	-	-	-	10.49	10.51	10.53	-
60	-	-	-	-	-	-	-	-	-

Mass flow in kg/h

10	151	172	211	256	-	-	-	-	-
20	143	164	204	249	301	361	-	-	-
30	134	155	194	240	292	353	421	499	-
40	-	142	182	227	280	341	410	488	-
45	-	-	174	220	273	333	402	481	-
50	-	-	-	211	264	325	394	473	-
55	-	-	-	-	-	316	385	464	-
60	-	-	-	-	-	-	-	-	-

Coefficient of performance (C.O.P.)

10	4.15	4.70	5.80	7.26	-	-	-	-	-
20	3.01	3.43	4.22	5.18	6.39	8.00	-	-	-
30	2.08	2.41	3.03	3.74	4.57	5.60	6.90	8.61	-
40	-	1.60	2.08	2.62	3.24	3.97	4.84	5.91	-
45	-	-	1.68	2.15	2.70	3.33	4.06	4.95	-
50	-	-	-	1.75	2.22	2.76	3.39	4.14	-
55	-	-	-	-	-	2.27	2.82	3.45	-
60	-	-	-	-	-	-	-	-	-

Nominal performance at to = -10 °C, tc = 45 °C

Cooling capacity	10 485	W
Power input	4 867	W
Current consumption	8.88	A
Mass flow	220	kg/h
C.O.P.	2.15	

Pressure switch settings

Maximum HP switch setting	29.7	bar(g)
Minimum LP switch setting	1.4	bar(g)
LP pump down setting	2	bar(g)

Sound power data

Sound power level	71	dB(A)
With acoustic hood	63	dB(A)

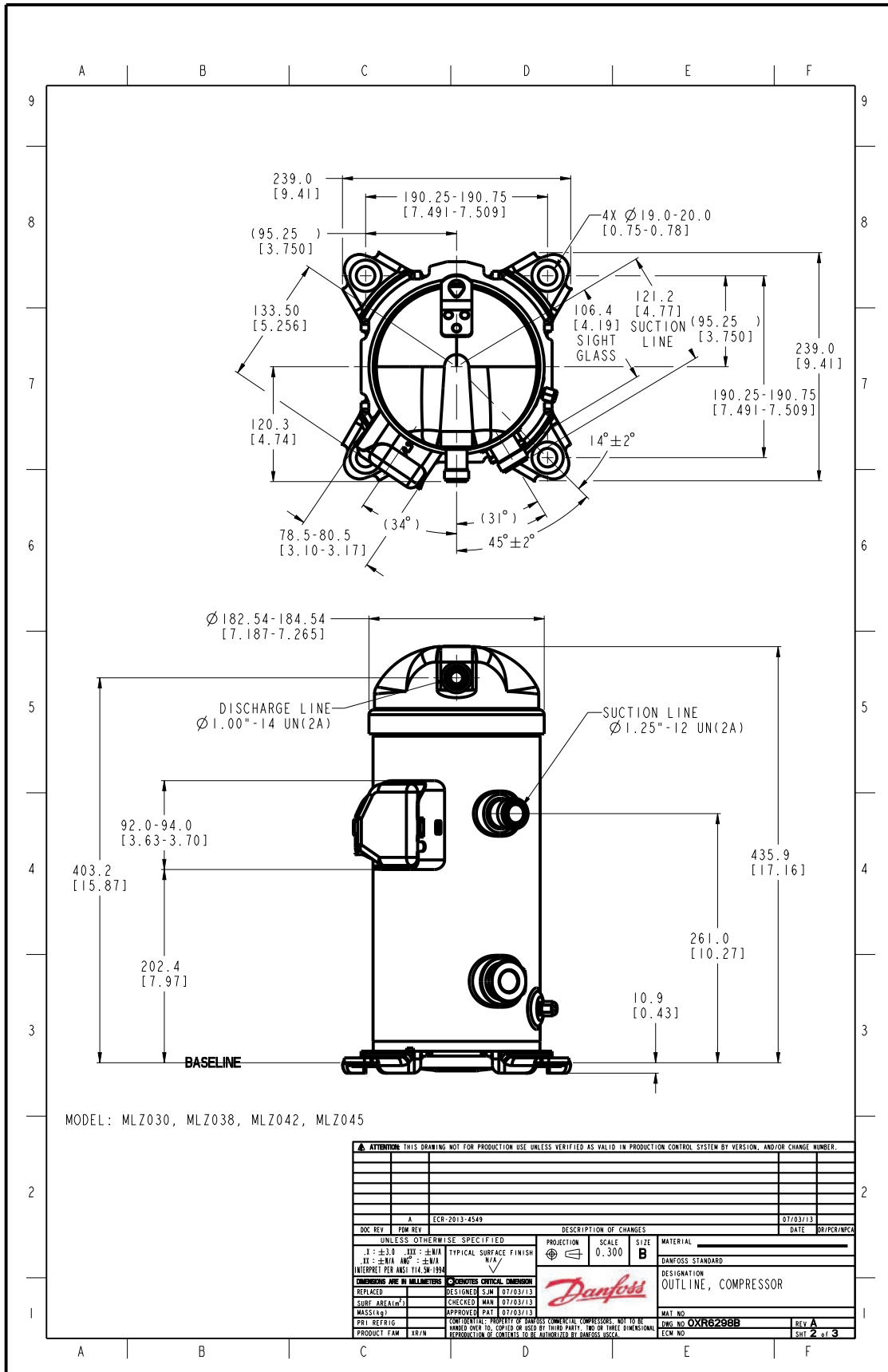
to: Evaporating temperature at dew point

tc: Condensing temperature at dew point

Rating conditions : Superheat = 11.1 K , Subcooling = 8.3 K

All performance data +/- 5%

Danfoss can accept no responsibility for possible errors in catalogues, brochures and other printed material. Danfoss reserves the right to alter its products without notice. This also applies to products already on order provided that such alternations can be made without subsequential changes being necessary in specifications already agreed. All trademarks in this material are property of the respective companies. Danfoss and the Danfoss logotype are trademarks of Danfoss A/S. All rights reserved.



Danfoss can accept no responsibility for possible errors in catalogues, brochures and other printed material. Danfoss reserves the right to alter its products without notice. This also applies to products already on order provided that such alternations can be made without consequential changes being necessary in specifications already agreed. All trademarks in this material are property of the respective companies. Danfoss, the Danfoss logotype and Maneurop are trademarks of Danfoss A/S. All rights reserved.